

CDOLLY

2 Pieces Car Dolly 1,000 lb Capacity



READ ALL INSTRUCTIONS AND WARNINGS BEFORE USING THIS PRODUCT.

SAVE THESE INSTRUCTIONS FOR FUTURE REFERENCE.

This manual provides important information on proper operation and maintenance. Every effort has been made to ensure the accuracy of this manual. We reserve the right to change this product at any time without prior notice.

STOP! CONTACT CUSTOMER SERVICE WITH QUESTIONS OR PROBLEMS.

DO NOT RETURN THIS PRODUCT TO THE RETAILER.

When unpacking, check to make sure all parts listed are included. If any parts are missing or broken, please call Customer Service. If you experience a problem or need parts for this product, visit our website <http://www.buffalotools.com> or call our customer help line at **1-888-287-6981**, **Monday-Friday, 8 AM - 4 PM Central Time**. A copy of the sales receipt is required.

KEEP THIS MANUAL, SALES RECEIPT & APPLICABLE WARRANTY FOR FUTURE REFERENCE. READ ALL INSTRUCTIONS AND WARNINGS BEFORE USING THIS PRODUCT.

FOR CONSUMER USE ONLY – NOT FOR PROFESSIONAL USE

IMPORTANT SAFETY RULES

COMMON SENSE AND CAUTION ARE FACTORS WHICH CANNOT BE BUILT INTO ANY PRODUCT. THESE FACTORS MUST BE SUPPLIED BY THE OPERATOR.

⚠ WARNING

Do not exceed 1,000 lb. weight capacity per Dolly. Be aware of dynamic loading!

Use car dollies to support FRONT or REAR end of the vehicle. Do NOT use Dollies to support one side of vehicle. Use four Dollies (two pairs) to support entire vehicle.

Read vehicle owner's manual and instruction manual for Jack (not included) for proper jacking positions before use.

Position Dollies so that carrying handles are parallel to the wheels.

To prevent possible tire damage, make sure sides of tires do not press against Dolly edges.

If used for extended storage under Vehicle tires, periodically lift Vehicle to rotate tires.

Keep lifting area free of spectators and do not allow anyone into vehicle while on Dollies.

Only use on flat, level surface able to withstand weight of vehicle and Dollies. Do not use Dollies on slopes.

Do not use for aircraft purposes; use as intended only.

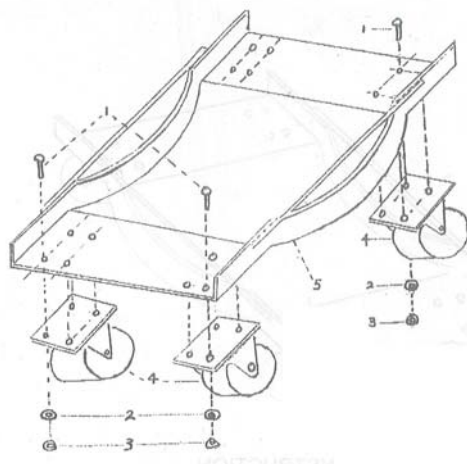
Use wheel chocks at opposite end of vehicle when lifting.

Do not modify or alter Dollies. Center and secure load on Dollies.

Inspect before every use; do not use if parts are loose or damaged.

Assemble only according to instructions. Improper assembly can create hazards.

This product is not a toy. Do not allow children to play with or near this item.



PARTS LIST

NO	DESCRIPTION	QTY
1	Bolt (M8×16)	16
2	Washer Ø8	16
3	Nut (M8)	16
4	Cast Wheel Ass'y	4
5	Frame	1

